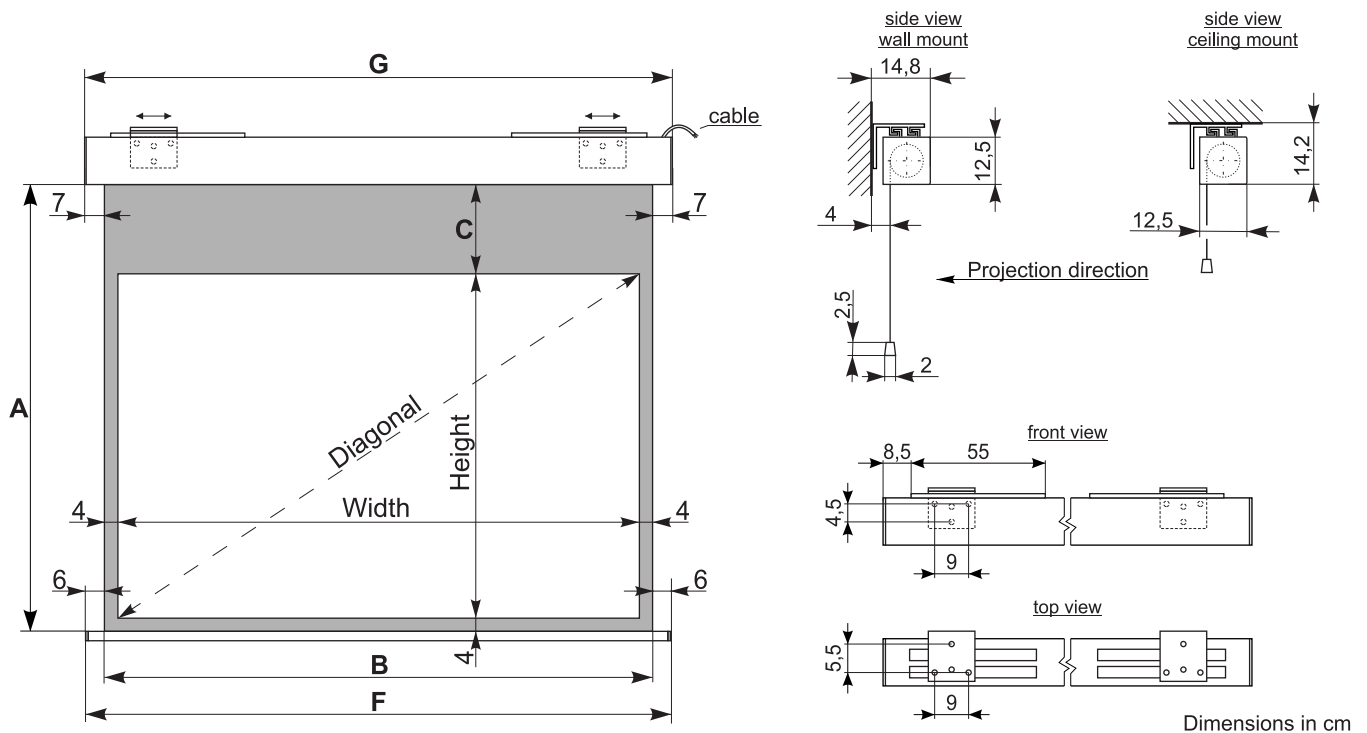




# Rollfix Pro Electric (250 - 350 cm)



## Format 1:1 without border

ID	B	A	Width	Height	C	G	F	Diagonal	Weight
3041UA8002	270	270	270	270	0	284	282	382	36
3041VA8002	300	300	300	300	0	314	312	424	38
3041XA8002	350	350	350	350	0	364	362	495	45

## Format 4:3 without border

ID	B	A	Width	Height	C	G	F	Diagonal	Weight
3041VB8002	300	225	300	225	0	314	312	375	37,5

## Format 4:3 with border

ID	B	A	Width	Height	C	G	F	Diagonal	Weight
3041UJ8032	270	205	262	197	4	284	282	328	32
3041VJ8032	300	227	292	219	4	314	312	365	37,5
3041XJ8002	350	264,5	342	256,5	4	364	362	427	44

## Format 16:9 with border

ID	B	A	Width	Height	C	G	F	Diagonal	Weight
3041UK8032	270	181	262	147	30	284	282	300	31
3041VK8032	300	198	292	164	30	314	312	335	35,5
3041XK8002	350	226	342	192	30	364	362	392	43

## Format 16:10 with border

ID	B	A	Width	Height	C	G	F	Diagonal	Weight
3041UN8032	270	198	262	164	30	284	282	309	31
3041VN8032	300	217	292	183	30	314	312	344	36
3041XN8002	350	248	342	214	30	364	362	403	43,5

**Optional screen material :** Blankara matt white

**Optional border :** 4:3, 16:9, 16:10

**Case colour :** white - fine structure

**Optional control :** remote control / wall switch

**Accessories :** installation frame / wall-ceiling distance bracket