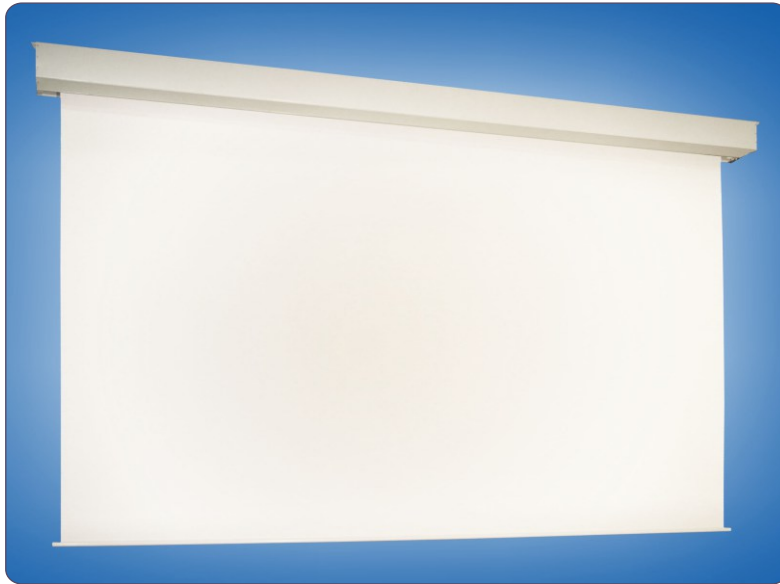
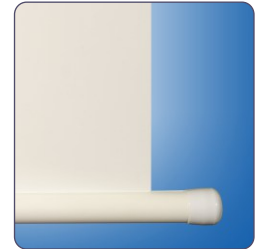




# Maxxscreen 27



robust case



slat bar retracts into the case



rotary switch

## Highlights

- Large venue electric screen for trade shows, conference halls, theaters and cinemas
- Up to size of 700 cm width and 400 cm height, seamless
- High-quality, stable square 27x27 cm steel housing 1 mm steel sheet, white colour RAL9010
- Ceiling installation as standard
- Maintenance - free robust motor incl. thermo protection against overheating
- Easy and safe handling due to an electrical drive, rotary switch included
- Automatic electrical end switch at the top and bottom
- Safety brake preventing the self-unwinding of the canvas

## Optional

- Customized sizes, special colour of casing, different types of screens surfaces on request
- RF remote control
- Installation frame for integration into suspended ceilings
- Mounts for wall mounting

## Screen surface

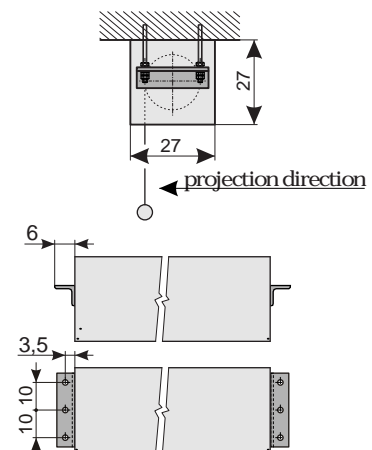
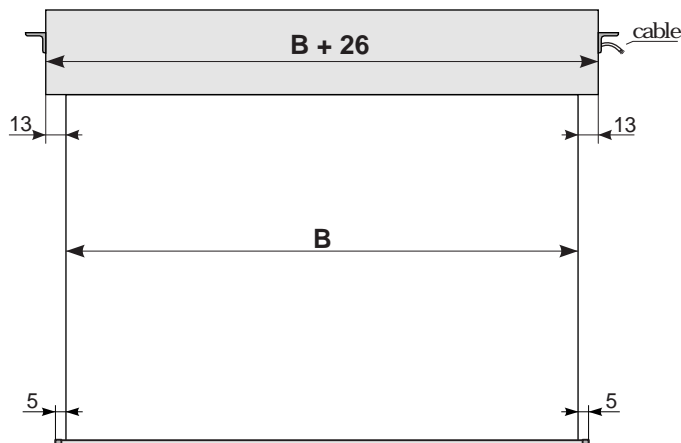
- Type D - matt white, Gain 1,1, fabric based material

The product is in conformity with the following EU-Standards and other Normative Documents

**EG-Machine Directives 89/392/EWG**  
**EMV-Directive 89/336/EWG**  
**Low-voltage Directive 73/23/EWG**

Applied norms and technical specifications:

**DIN EN 292 Part 1+2**  
**DIN EN 294**  
**DIN EN 349**  
**DIN 19045**  
**DIN EN 55014 Part 1+2**  
**DIN EN 61000-3-2**  
**DIN EN 60335 Part 1**  
**DIN ETS 300220**  
**DIN ETS 300683**  
**DIN ETS 60730**



Dimensions in cm

B	600	650	700
---	-----	-----	-----