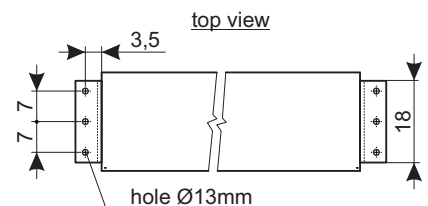
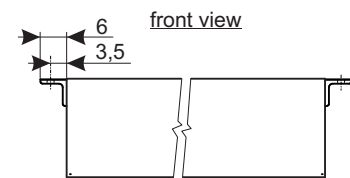
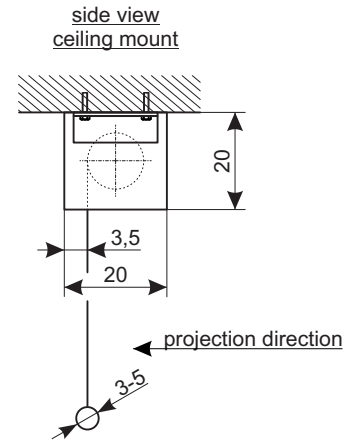
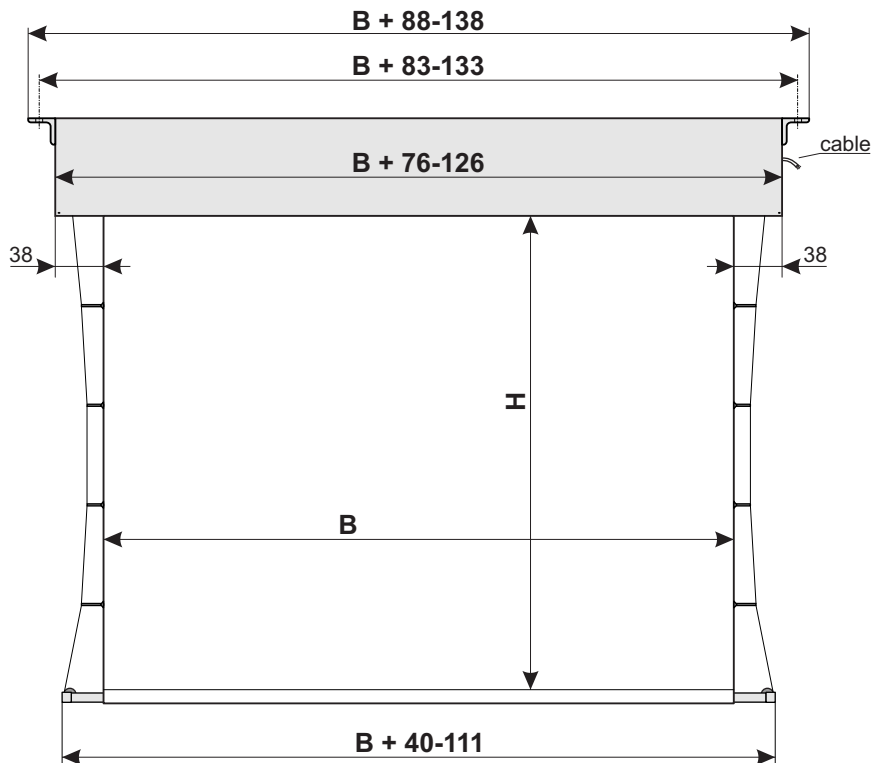




Maxxscreen 20 TabTension



dimensions in cm

B	H
400	350
400	400
450	300
450	400
500	300
500	400
550	300
550	400
600	300
600	400

Attention:

- Some sizes in the drawing could be different in customized versions of projection surfaces
- Projection surfaces on foil base could shrink in tolerance about 0-2% from the width of surface, depending on surrounding environment. This isn't reason for any claim.

Optional screen material : Typ D, S, 3D, R on a foil base

Case colour : White

Optional control : Wall switch, Remote control

Accessories : Wall bracket, Mounting set for ceiling distance 100 cm, Instalation frame