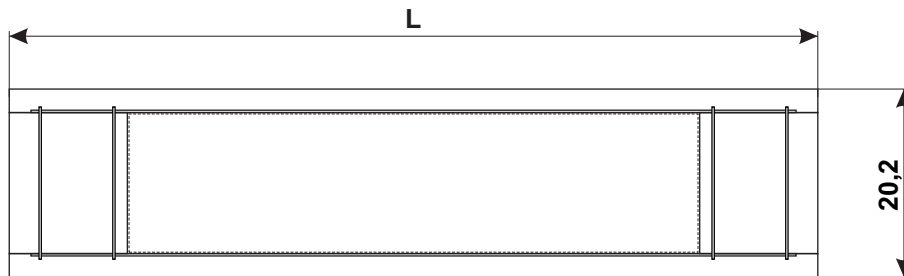
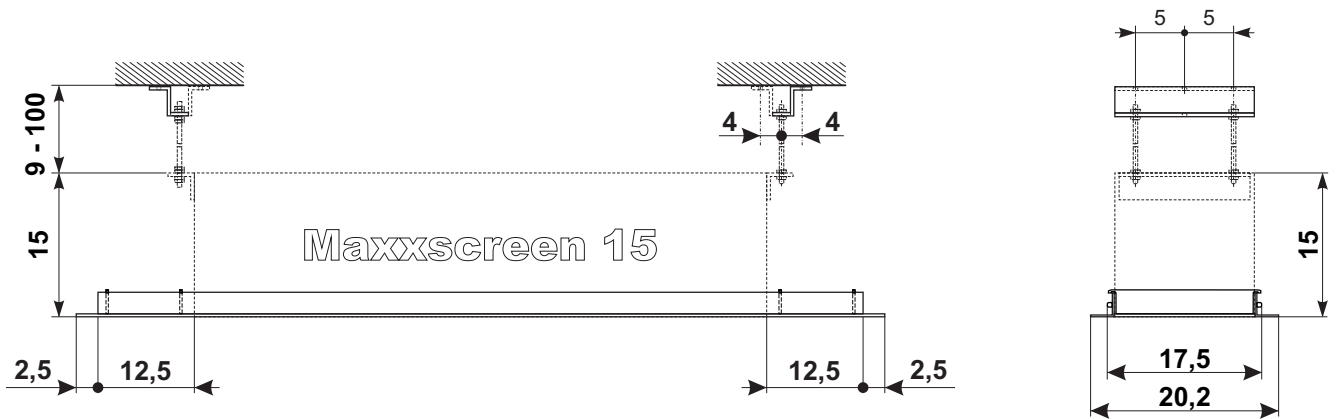




# Maxxscreen 15 - Built-in-frame

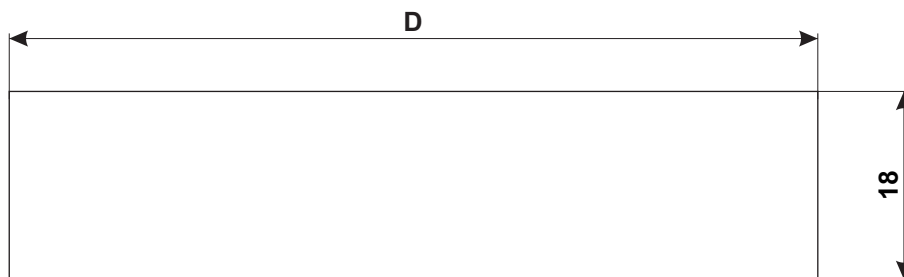


Projection screen width	L
350 / 300*	406
400 / 350*	456

\* Maxxscreen TabTension (standard design)

Dimensions in cm

## Minimum dimensions of the construction opening



Projection screen width	L
350 / 300*	403
400 / 350*	453

\* Maxxscreen TabTension (standard design)

Dimensions in cm