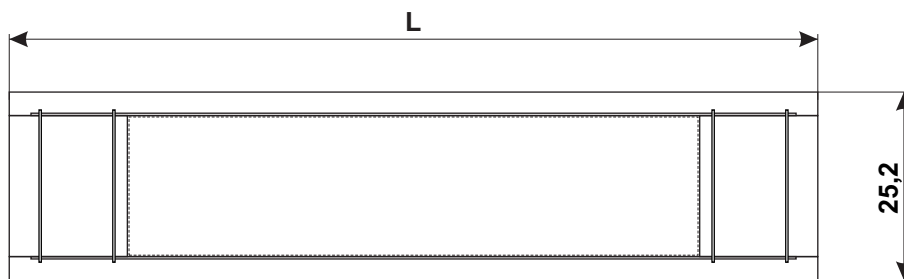
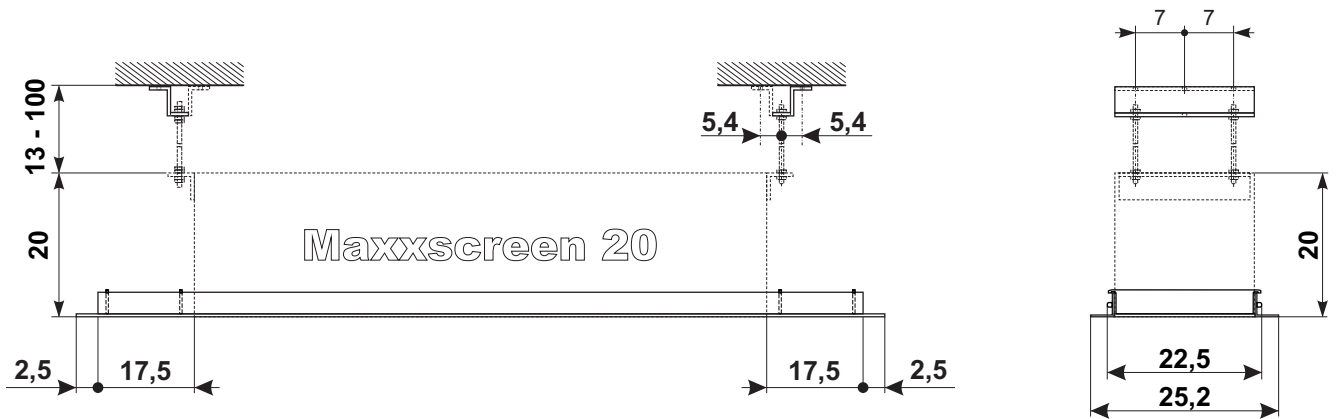




Maxxscreen 20 - Built-in-frame

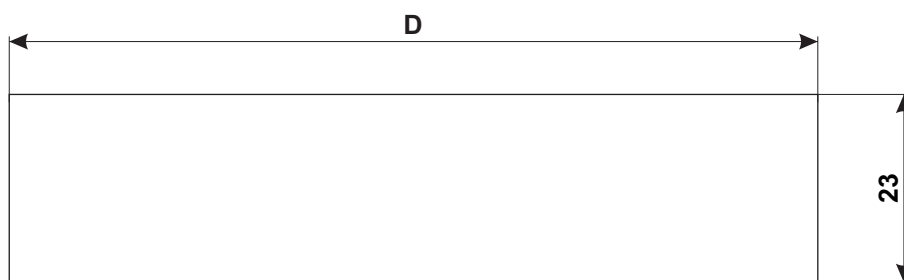


Projection screen width	L
350 / 300*	416
400 / 350*	466
450 / 400*	516
500 / 450*	566
550 / 500*	616
600 / 550*	666

* Maxxscreen TabTension (standard design)

Dimensions in cm

Minimum dimensions of the construction opening



Projection screen width	L
350 / 300*	413
400 / 350*	463
450 / 400*	513
500 / 450*	563
550 / 500*	613
600 / 550*	663

* Maxxscreen TabTension (standard design)

Dimensions in cm